

Junction Box with Mounting Stand for non-hazardous (ordinary) and hazardous locations OSR Series

Termination system with pipe mounting stand:

- Commercial and industrial use
- For **OSR-NA** and **OSR-HA** self-regulating heating cables

Used for termination of two self-regulating heating cable circuits.

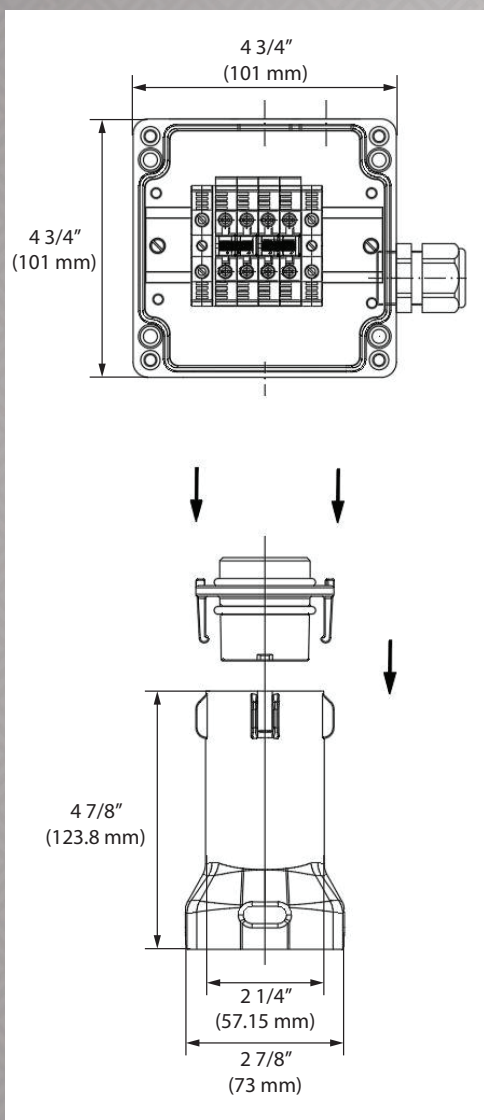
Mounting stand with integrated clamping ring.

For pipe and pipeline applications:

- Chemical and petrochemical
- Power generation
- Oil and gas
- Industrial processes
- Plant upgrades and repairs

Junction Box with Mounting Stand for non-hazardous (ordinary) and hazardous locations

OSR Series



IP rating

- IP 65 (NEMA 4 equivalent)

Junction Box

- Housing: antistatic polyamide compound
- Operating/control voltage: 120/208-277VAC $\pm 10\%$, 50/60Hz
- Ambient temperature:
 - 40°C to 50°C (-40°F to +122°F) (T6, T85°C [T185°F])
 - 40°C to 55°C (-40°F to +131°F) (T5, T100°C [T212°F])
 - 40°C to 60°C (-40°F to +140°F) (T4, T135°C [T275°F])
- Nominal current: maximum 32A
- Terminals: 20-8 AWG (0.5-10 mm²)

Threaded flange

- Operating temperature: -20°C to 100°C (-4°F to +212°F)

Mounting Stand

- Housing: GRP
- Equipment group: Zone 1 Ex/AEx eb IIC Gb
Zone 21 Ex/AEx tb IIIC Db
- Operating temperature: -20°C to 200°C (-4°F to +392°F)
- Cable entries: three (3) flat, one (1) round
- Pipe diameters: $\geq 3/4$ in. (20 mm)
- Maximum width of clamping ring: 5/8 in. (16 mm)

Product #	Description
ELAK-3-7	Junction box with mounting stand for non-hazardous (ordinary) and hazardous locations

For **OSR-NA** and **OSR-HA** self-regulating heating cables.