

ELTC-14-RTD

Electronic Temperature Controller



Description

The ELTC-14 is an electronic temperature controller with digital display for wall mounting. The temperature is measured by a Pt 100 sensor, processed by the microcontroller and displayed. After having evaluated the actual and preset values, the appropriate output relays are switched, depending on the configuration.

Cable glands and terminals are provided for the power connection. The unit is supplied in a weather proof plastic enclosure, with a transparent cover.

Advantages

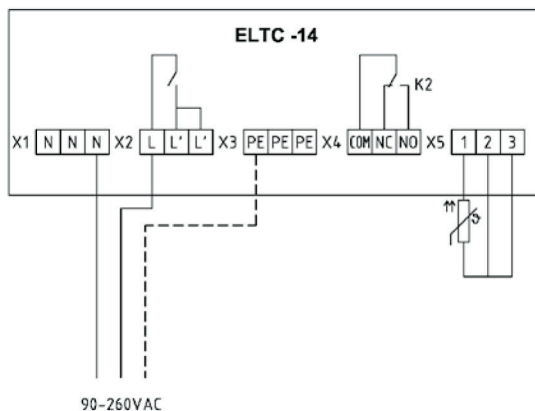
- LED display operable down to -25 °C
- Programmable 0 °C up to +390 °C
- For switching 20 A resistive load with hybridrelay
- Signaling contact (configurable to operate either as alarm or release contact, potential-free)
- Suitable for Pt 100 with 2 or 3 wires
- For connection of up to 2 heating cables
- Operating voltage: 90 - 260 VAC / 50/60 Hz

Applications

- Industrial applications
- Mechanical, electrical and plumbing (MEP)



Wiring diagram



Specifications

Operating voltage:	90-260 VAC 50/60 Hz
Power consumption max.:	4 mA, < 5 W
Switching capacity relay 1:	20A with hybridrelay
Switching capacity relay 2:	8 A, changover contact (alarm)
Operating temperature:	-25 °C ... +55 °C
Storage temperature:	-30 °C ... +60 °C
Display range:	-50 °C ... +400 °C
Adjustable range:	0 °C ... +390 °C, optional configuration
Sensor connection:	Pt 100 2-wire, 3-wire, optional configuration
Display:	LED, red
IP rating:	IP 65
Dimensions (w x h x d):	130 x 130 x 75 mm polycarbonate enclosure

Sensors and display: It is possible to use two types of sensors, either Pt 100/2-wire or Pt 100/3-wire. Optional display of °C or °F values. In case of use of a Pt100/2-wire unit the actual temperature value can be corrected. Range +/- 10K or +/-18F, respectively. In case of use of a Pt100/3-wire unit the temperature is automatically corrected. Also suitable for use with ELTF-PTEx 1 and 2 sensor.

Relay configuration: relay 1: regulator, relay 2: alarm / temperature reached

Temperature alarm: If the actual value deviates from the preset limit values, an alarm is given and transmitted via alarm relay K2.

Type	Designation	Art. No.
ELTC-14	Standard: Set with cable glands, reducer and blind cover	0620000

For suitable temperature sensors and accessories please note our considerable accessories catalogue unit.