

### PBM-300-A

High profile multiple entry point power connection kit for PSB/MSB/HSB cable with stand and junction box on pipe with 6 AWG Terminals for ordinary and hazardous environments.

#### Technical Data

<b>Ambient temperature range</b>	-40°F to 131°F / -40°C to 55°C
<b>Min. installation temperature</b>	-67°F / -55°C
<b>Max. pipe temperature</b>	464°F / 240°C
<b>Max. operating temperature end seal</b>	PSB: 185°F / 85°C MSB: 392°F / 200°C HSB: 374°F / 190°C
<b>Power supply</b>	Max. 277 Vac
<b>Protection classification</b>	Class I, Div 2 Group A, B, C, D Class II, Div 2 Group E, F, G Class III
<b>Ingress protection</b>	NEMA Type 4X / IP65
<b>Conduit entry size</b>	PBM-300-A: 3/4" PBM-300-A10: 1"
<b>Max. power conductor size</b>	PBM-300-A: 10 AWG (6 mm <sup>2</sup> ) PBM-300-A10: 6 AWG (10 mm <sup>2</sup> )
<b>Terminals</b>	Spring clamp Ex e; 4x2 lines, 3x2 PE

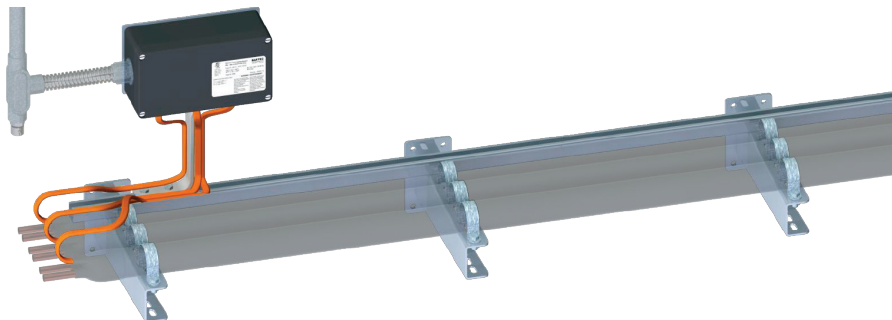


#### Certifications / Approvals



PBM-300-A | PBM-300-A10 Multiple entry power junction box for BARTEC PSB, MSB or HSB trace heaters.

#### PBM-300-A | PBM-300-A10 Power entry kit



## BARTEC

### Kit Contents

The following table lists the kit contents of the PBM-300-A | PBM-300-A10 Multiple entry power junction box:

						
3 x Silicone pants	3 x End seal	3 x Green/yellow tube for grounding braid	3 x Bonding jumper	3 x Metallic gland body	3 x "P"-Grommet for PSB trace heaters	3 x "H"-Grommet for MSB or HSB trace heaters
						
3 x Fixing nut	3 x Lock nut for gland body	3 x Silicone adhesive	1 x Cover for junction box incl. 4 fixing screws	1 x Cover for junction box incl. 4 fixing screws		